

# LK 551 HydroMix

- Anti-scald function
- Adjustable temperature



## Technical Data

Max. working pressure:	1.0 MPa (10 bar)
Working temperature:	Min. 5 °C/Max. 65 °C Min. 5 °C/Max. 95 °C
Operating temperature:	Min. 10 °C/Max. 30 °C (Max. 65 °C) Min. 25 °C/Max. 45 °C Min. 35 °C/Max. 55 °C Min. 35 °C/Max. 65 °C
Thread standard:	Rp - female thread, G - male thread
Media 1:	Water - Glycol mixture max. 50% Ethanol mixture max. 30%
Material, valve body:	Brass EN 12165 CW617N
Temperature stability:	±3 °C



LK 551 HydroMix is an asymmetrical mixing valve for water heating and heating systems. The mixing valve has a thermostatic element that regulates the supply of cold as well as hot water in order to achieve the desired temperature. The valve has an anti-scald function that shuts off the incoming hot water flow in case of failure of cold water supply.

Arrows on the valve body indicate the direction of the flow.

C = incoming cold water

H = incoming hot water

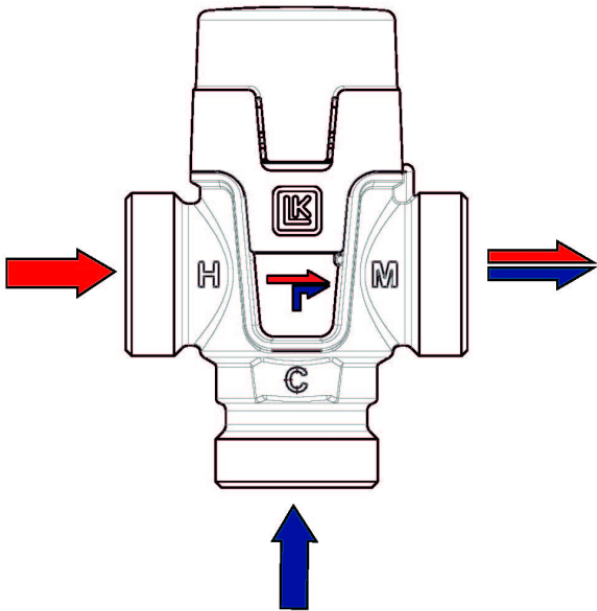
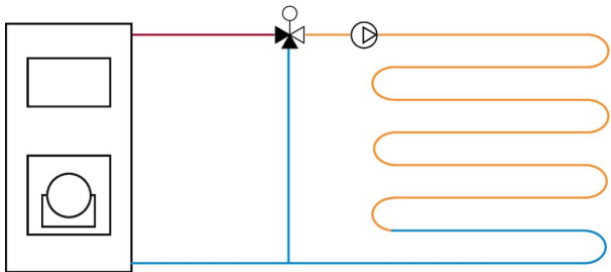
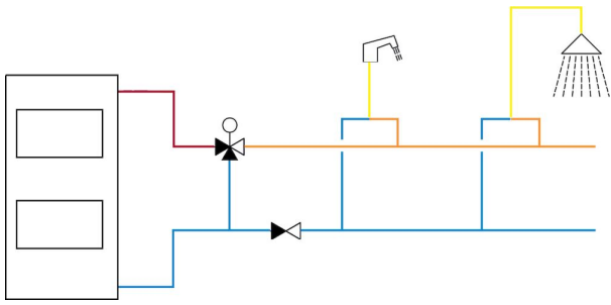
M = outgoing mixed water

When fitted on top of boiler/storage tanks with built-in water heaters the valve should be installed with some space between boiler/storage tank and valve so as not to let the function of the valve be affected by heat radiation.

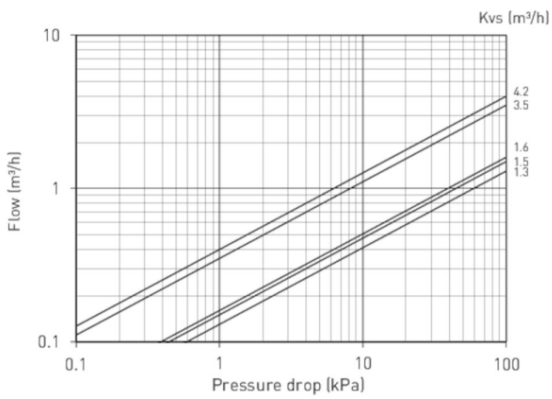
The valve knob is used to set the desired warm water temperature within the specified range. The protective cap prevents unintentional changes of the temperature setting.

The valve requires no maintenance but the installation should be checked regularly.

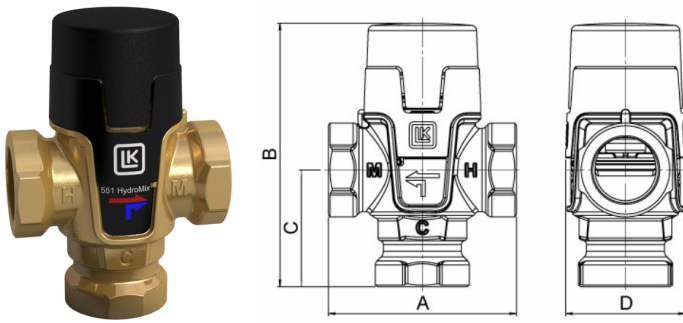




**Capacity Diagram**

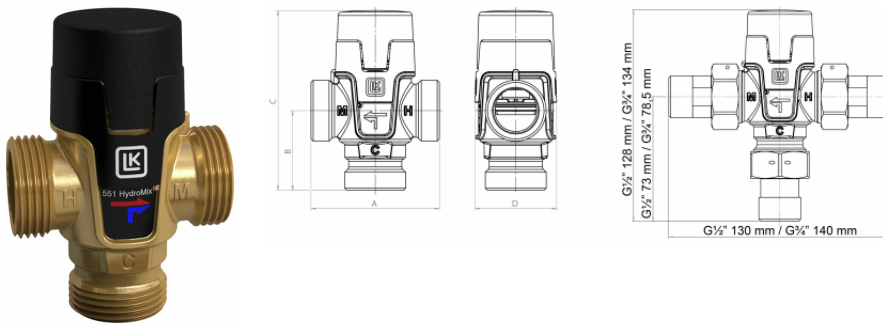


## LK 551 - Female thread



Article	Dim.	Kvs m <sup>3</sup> /h	A mm	B mm	C mm	D mm	Note	Weight (kg)
181616	F ½"	1,5	70	99	43.5	45	25 - 45 °C	0.5
181617	F ¾"	1,6	70	99	43.5	45	25 - 45 °C	0.5
181455	F ½"	1,5	70	99	43.5	45	35 - 65 °C	0.5
181486	F ¾"	1,6	70	99	43.5	45	35 - 65 °C	0.5
182203	F 1"	3,5	84	121	62	55	10 - 30 °C	0.9
182204	F 1"	4,2	84	121	62	55	25 - 45 °C	0.9
182205	F 1"	3,5	84	121	62	55	35 - 65 °C	0.9

## LK 551 - Male thread



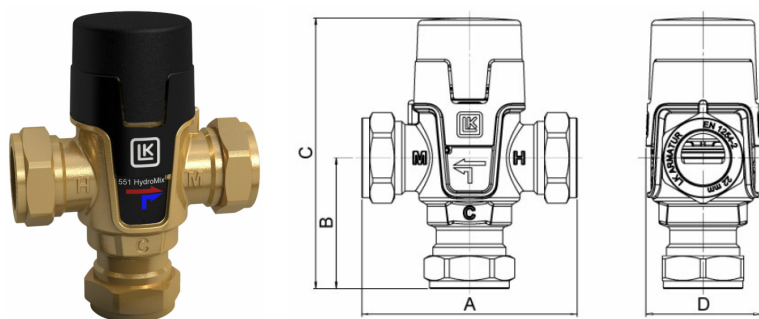
Article	Dim.	Kvs m <sup>3</sup> /h	A mm	B mm	C mm	D mm	Note	Weight (kg)
181618	M ½"	1,3	70	42.5	99	45	25 - 45 °C	0.4
181619	M ¾"	1,5	70	43.5	99	45	25 - 45 °C	0.5
181738	M ¾"	1,5	70	43.5	99	45	10 - 30 °C	0.5
181620	M 1"	1,6	70	43.5	99	45	25 - 45 °C	0.5
181452	M ½"	1,3	70	42.5	99	45	35 - 65 °C	0.4
181453	M ¾"	1,5	70	43.5	99	45	35 - 65 °C	0.5
181454	M 1"	1,6	70	43.5	99	45	35 - 65 °C	0.5
182736	M 1"	1,6	70	43.5	99	45	35 - 65 °C *, WRAS	0.5



Article	Dim.	Kvs m <sup>3</sup> /h	A mm	B mm	C mm	D mm	Note	Weight (kg)
182197	M 1"	3,5	84	62	121	55	10 - 30 °C	0.7
182198	M 1"	3,5	84	62	121	55	25 - 45 °C	0.7
182199	M 1"	3,5	84	62	121	55	35 - 65 °C	0.7
182200	M 1¼"	3,5	84	62	121	55	10 - 30 °C	0.8
182201	M 1¼"	4,2	84	62	121	55	25 - 45 °C	0.8
182202	M 1¼"	3,5	84	62	121	55	35 - 65 °C	0.8

\* Material, valve body: EN 12165 CW625N

## LK 551 - Compression fitting

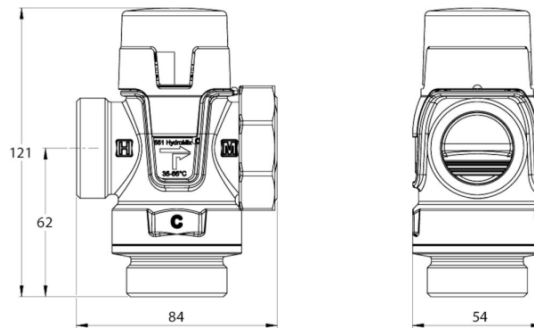


Article	Dim.	Kvs m <sup>3</sup> /h	A mm	B mm	C mm	D mm	Note	Weight (kg)
181621	15 mm	1,3	86.5	51	106	45	25 - 45 °C	0.4
181622	22 mm	1,6	85	52	106	45	25 - 45 °C	0.4
181523	15 mm	1,3	86.5	51	106	45	35 - 55 °C	0.5
181487	22 mm	1,6	85	52	106	45	35 - 55 °C	0.6
181456	15 mm	1,3	86.5	51	106	45	35 - 65 °C	0.5
182738	15 mm	1,3	86.5	51	106	45	35 - 65 °C *, WRAS	0,5
181457	22 mm	1,6	85	52	106	45	35 - 65 °C	0.6
182737	22 mm	1,6	85	52	106	45	35 - 65 °C *, WRAS	0,6
182206	28 mm	3,5	110	80	138	55	10 - 30 °C *	0.9
182207	28 mm	4,2	110	80	138	55	25 - 45 °C *	0.9
182208	28 mm	3,5	110	80	138	55	35 - 65 °C *	0.9

\* Material, valve body: EN 12165 CW625N

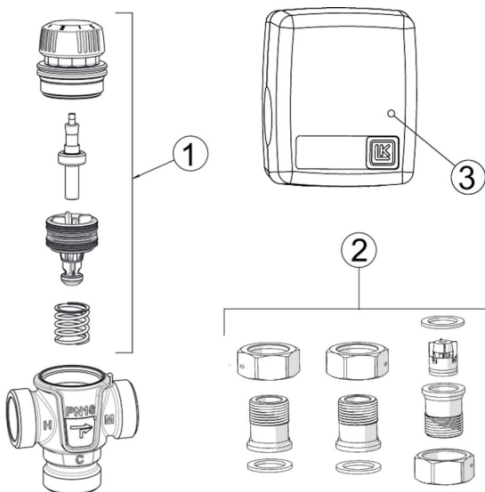


## LK 551 - Rotating nut



Article	Dim.	Dim. 2	Kvs m <sup>3</sup> /h	A mm	B mm	C mm	D mm	Note	Weight (kg)
182431	M 1 1/4"	1 1/2" Rotating nut	3,5	84	62	121	55	25 - 45 °C	0.9
182820	M 1 1/4"	1 1/2" Rotating nut	3,5	84	62	121	55	50 - 70 °C	0.9

### Accessories & Spare parts



Article no.	Article	Position
095234	Repair kit 551, 35 - 65 °C (Kvs 1.6)	1
095235	Repair kit 551, 25 - 45 °C	1
095236	Repair kit 551, 35 - 55°C	1
095348	Repair kit 551, 10 - 30 °C, Kvs 3.2-4.2	1
095349	Repair kit 551, 25 - 45 °C, Kvs 3.2-4.2	1
095350	Repair kit 551, 35 - 65 °C, Kvs 3.2-4.2	1
092055	Connection kit M 1/2" x 3/4" with rotating nut, gaskets, 2 check valves	2
092054	Connection kit M 1/2" x 3/4" with rotating nut, gaskets, 1 check valve	2
092052	Connection kit M 3/4" x 1" with rotating nut, gaskets, 1 check valve	2
092053	Connection kit M 3/4" x 1" with rotating nut, gaskets, 2 check valves	2
092333	Connection kit M 1" x 1 1/4" with rotating nut, gaskets, 1 check valve	2
092334	Connection kit M 1" x 1 1/4" with rotating nut, gaskets, 2 check valves	2
187310	LK Insulation, 551 (Kvs 3.2-4.2) / 552	3
187304	LK Insulation, 551 (Kvs 1.3-1.6)	3

